

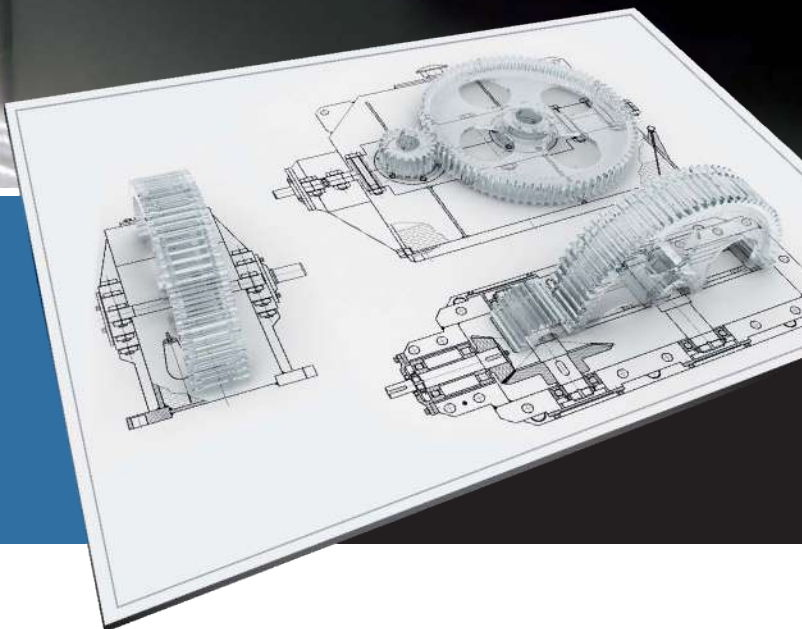
# CADprofi Mechanical



The world leading CAD add-on software



**CADprofi Mechanical**  
Parametric CAD-application facilitating the 2D design of mechanical and engineering projects.



## **CADprofi Mechanical**

The Mechanical module is equipped with an extensive set of standardized parts, steel fittings and other steel products, based on local and international standards. The library includes bolts, screws, washers, nuts, joints, rivets, studs, L-bars, tapered channel bars and parts used in the design of heat exchangers and other devices. An exceptional diagram and blueprint editor vastly facilitates the creation of drawings of plumbing and pneumatic installations.

## **Ease of use**

CADprofi is a professional parametric CAD application that vastly accelerates design work. The application's convenient, user-friendly interface makes it possible to fully employ its features immediately, without the need of

extensive software training. CADprofi is highly popular among architects and engineers. Less experienced users, who only occasionally work with CAD drawings, also highly praise the accessibility and functionality of our software.

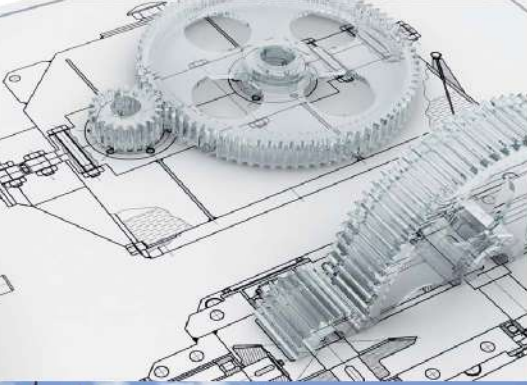
## **Comprehensive functionality**

Architects, engineers and designers use CADprofi to create projects of building construction, piping, plumbing, ventilation, electricity and other industry technology installations as well as the mechanical and structural constructions. The application package is composed of the following modules:

- **CADprofi HVAC & Piping**
- **CADprofi Electrical**
- **CADprofi Architectural**
- **CADprofi Mechanical**

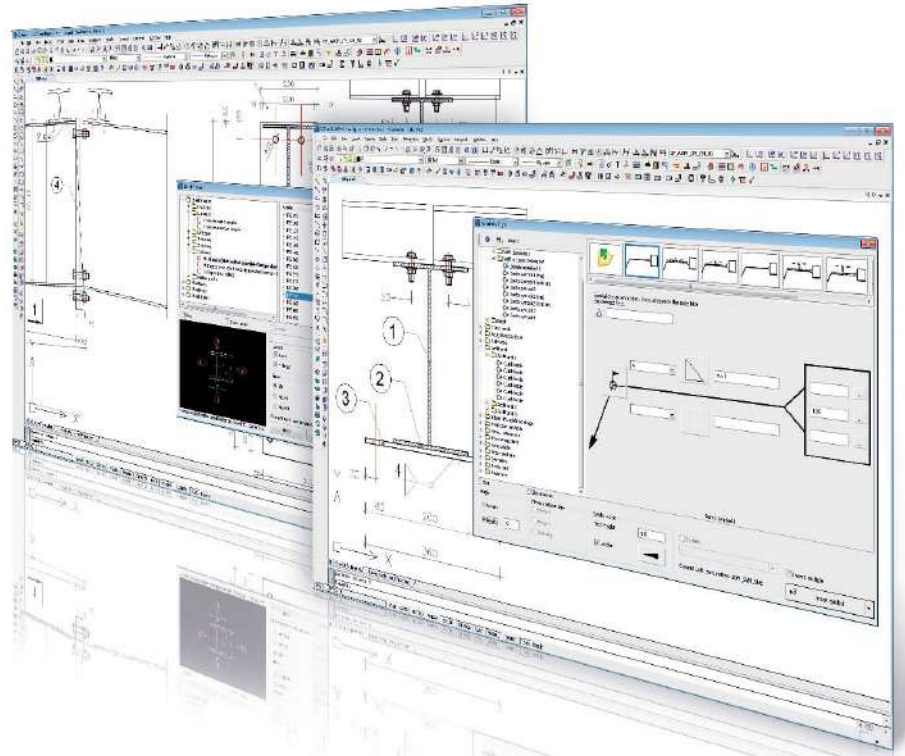
All of the application modules are mutually compatible and each can be installed separately or in combination with any number of the others. CADprofi has been developed mainly as a tool used in 2D and isometric drawings. The continuously updated library of objects by many industry manufacturers also greatly facilitates 3D design. The software is equipped with a rich array of functions supporting the user at every level of design work: from autonumbering and description system to the bill-of-materials generation and exporting data into many file formats for further editing (including doc, xls, xml and many others).





# Mechanical Design

The diversity of the functions contained in CADprofi allows an extreme acceleration of the project work.



## Maximum compatibility

Tens of thousands of users from all over the world have already chosen the CADprofi package. This is the reason, why we always take care to preserve full compatibility with other CAD applications in every new version of our software. CADprofi will automatically configure itself to be optimally compatible with any selected software environment (Bricscad, AutoCAD, ZWCAD, progeCAD, GstarCAD and many more). Drawings created in CADprofi are fully compatible with DWG and DXF formats and can be edited in any CAD application without the need to run and use our software.

### Key features

- Standardized parts: bolts, screws, washers, nuts, joints, rivets, studs, openings, rebates, wedges, pivots, pins, bearings, grease nipples and many more.
- Many local and international standards.
- Steel profiles: L-bars, tapered-channel bars, flat bars, box sections, rods, pipes and more.
- Casings and end caps, pipes, U-bends, tees, reducers, etc.
- All parts are available in many views.
- Procedures for calculating and automatically drawing heat exchangers.
- Editor for diagrams of pneumatic and plumbing systems.
- Fast design work using symbols and object in One-Click technology.
- Automatic numbering wizard.
- Manager of custom user content (blocks, drawing frames, symbols, etc.).
- Automatic bill-of-materials generation. The BOM can be printed or exported using many target file formats, including pdf, rft (doc), xls, xml, csv, etc.
- Automatic generation of visual symbol legends.

- Library of equipment by leading manufacturers of many industries.
- Metric and imperial units available.
- On-line updates.

### Always up-to-date

We develop continuous the CADprofi suite. Versions with new features appearing several times a year, providing the users with upgraded content and functionality. Our online updates enable every user to immediately access the latest in our software technology.

### Languages

The Unicode based user interface supports 22 languages, i.e. English, Bulgarian, Chinese Simplified, Croatian, Czech, Danish, Dutch, Finnish, French, German, Greek, Hungarian, Italian, Polish, Portuguese, Romanian, Russian, Serbian, Slovenian, Spanish, Swedish and Turkish.

DEVELOPER:



**CADprofi Group**  
info@cadprofi.com  
www.cadprofi.com

DEALER:

